

Large Flat Screen Display Trolley

For more information please visit www.btechavmounts.com/BT8504

BT8504



BT8504

Large Flat Screen Display Trolley

Designed for large screens up to 50" (127cm) / 70kg (154lbs)

- Fits screens with mounting patterns up to 755mm (29.7") x 410mm (16.1") including VESA patterns up to 600 x 400mm
- Mounts screen in landscape or portrait style
- Security Allen key and screws provided
- Includes universal flat screen Interface Kit
- Non-marking 4" locking/braked castors included
- Also supplied with optional screw in levelling feet
- 1.5m Ø60mm poles supplied with 5 cable management holes
- Trolley Dimensions (including wheels):
 Height: 1675mm (65.9") Depth: 711mm (28")
 Width: 1046mm (41.2")
- Suitable for concrete / brick or stud walls up to 24"
- Colours Available: Black Base with Black Poles, Black Base with Chrome Poles and Silver Base with Chrome Poles



Mounts screen in landscape or portrait style



Tempered Glass Shelf and Bracket (BT7163 + BT7161) also available



Braked castors supplied

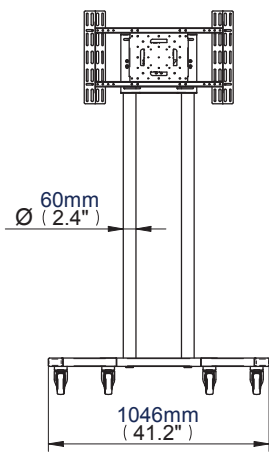


Levelling feet supplied

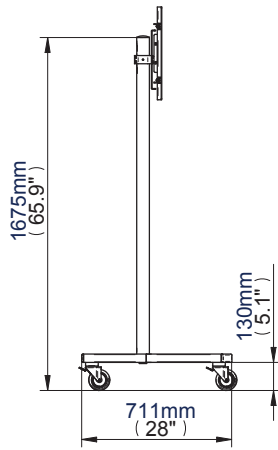
Large Flat Screen Display Trolley

For more information please visit www.btechavmounts.com/BT8504

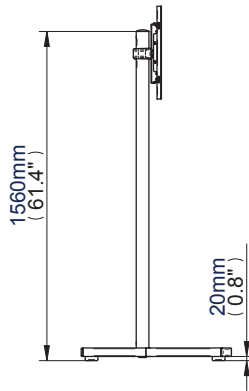
BT8504



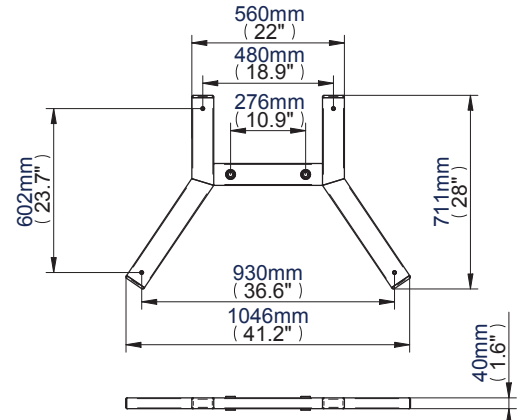
**Front View
With Castors**



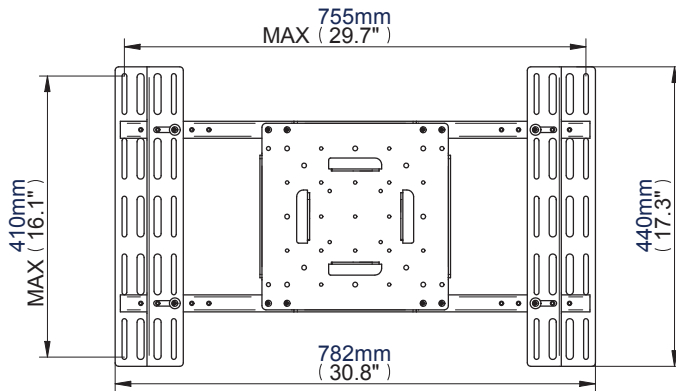
**Side View
With Castors**



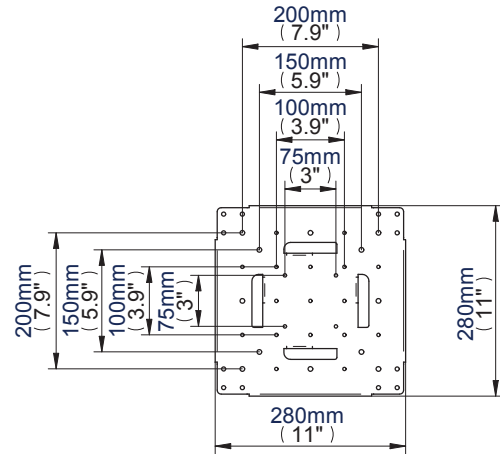
**Side View
With Levelling Feet**



Trolley Base



Universal Interface Plate



VESA Interface Plate

Colour:	Order Ref:	EAN Code:	Master Carton Qty:	Inner Carton Qty:	Master Carton Weight:	Master Carton Cube:
Black Base & Black Poles	BT8504/BB	5019318085413	0.5/0.5	0/0	23.4kg (51.59lbs) / 9.00kg (19.80lbs)	0.075cbm (2.66cuft) / 0.014cbm (0.49cuft)
Black Base & Chrome Poles	BT8504/BC	5019318085406	0.5/0.5	0/0	23.4kg (51.59lbs) / 9.00kg (19.80lbs)	0.075cbm (2.66cuft) / 0.014cbm (0.49cuft)
Silver Base & Chrome Poles	BT8504/SC	5019318085420	0.5/0.5	0/0	23.4kg (51.59lbs) / 9.00kg (19.80lbs)	0.075cbm (2.66cuft) / 0.014cbm (0.49cuft)

**Please note: this product is packed into 2 boxes*

**This information is intended as a guide only and reflects the current specification at the time of print.
B-Tech accepts no liability for the accuracy of the information contained in this document.**