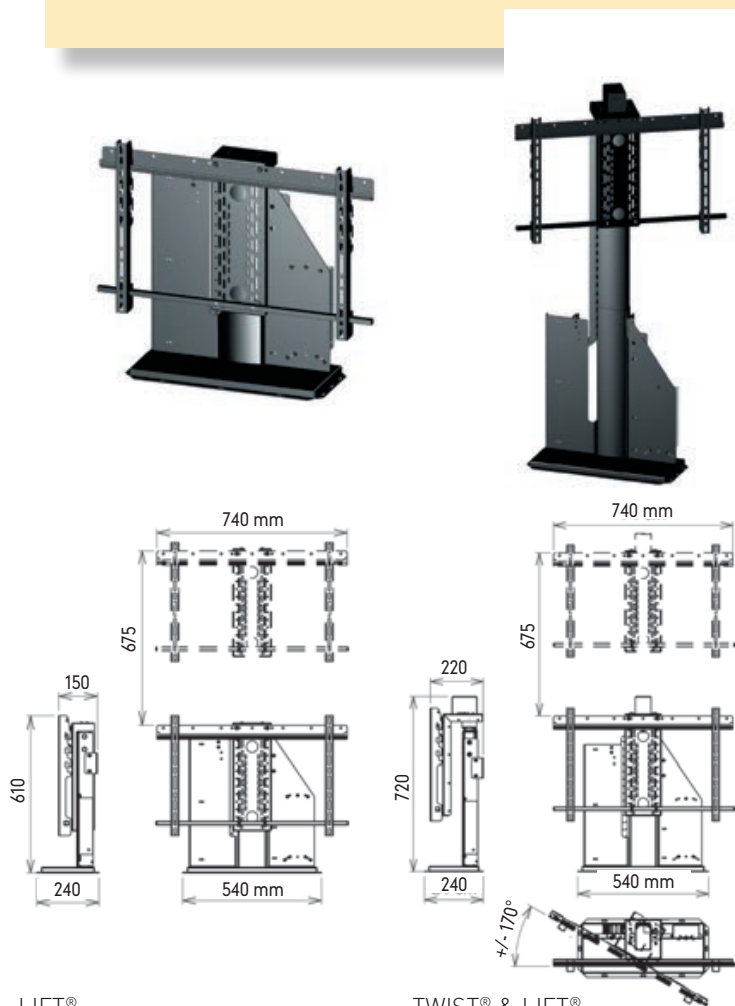


Lift® - Lift® & Twist®

- MOTORISATION SYSTEM FOR FLAT SCREENS
- 2 models
 - LIFT® : Ref .2474
 - LIFT® & TWIST® : Ref .2475
- Managed by IR, RF remote control or by RS485 connection or dry contacts
- Exit by additional integrated cylinder command



LIFT®

TWIST® & LIFT®

Ref. 002474

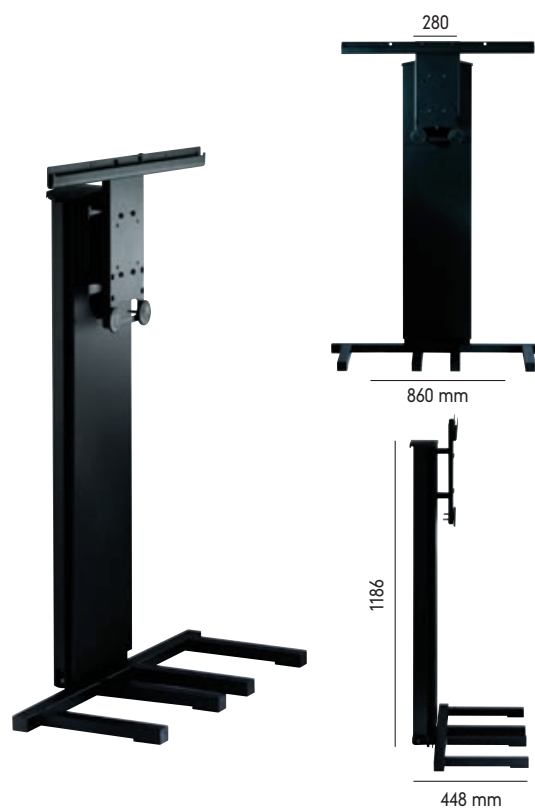
Ref. 002475

GENCOD 318528 002474 2

GENCOD 318528 002475 9

Multi purpose column

- COLUMN WITH MANUAL SWIVEL
- Suitable for most sideboards to make the most of your flat screen
- Manual screen swivel to watch television wherever you are in the room

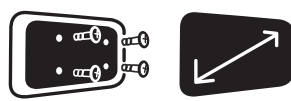


Ref. 037900

GENCOD 318528 037900 2

Ref. 2475 :
+/- 170°

675 mm run

Up to
600X400 mm

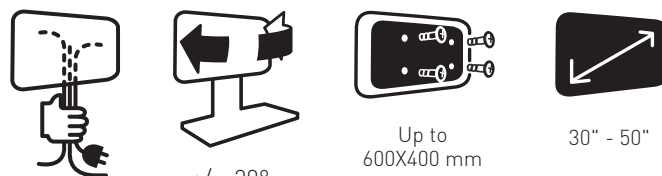
26" - 42"



50 KG

- Infrared receptor to be fitted to the wall
- Terminal block for secure system connection
- Electronic adjustment of the high and left right end pieces
- Max horizontal distance between fixing points = 69 cm
- Max vertical distance between fixing points = 44.5 cm

Garanteed 2 years



+/- 20°

Up to
600X400 mm

30" - 50"



50 KG

- 3 positions to adjust the screen height.
- Horizontal center-to-center distance: min. = 5 cm, max =
- Vertical center-to-center: min. = 5 cm, max. = 54.5 cm

Garanteed 10 years