



Flat display trolley PB 100

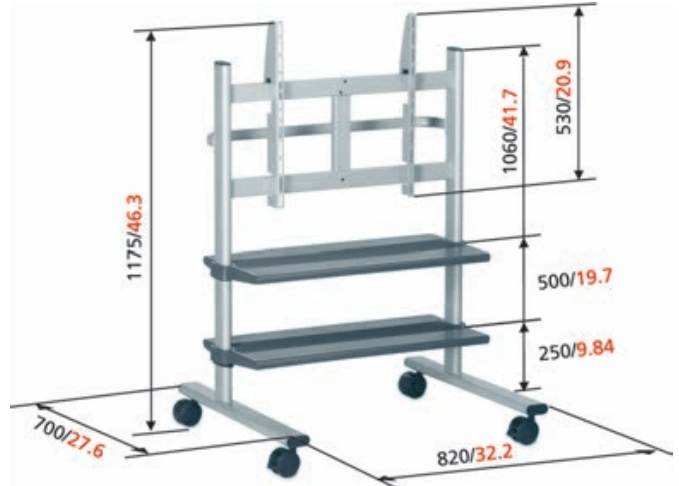
Specifications

- Max. weight: 50 kg / 110 lbs
- Guarantee: 2 years
- Available colours: Silver

Plasmaboy trolleys are the perfect solution to install LCD or Plasma displays on a mobile base for use on exhibitions, schools or convention and exhibition centres.



Flat display trolley PB 100



Plasmaboy trolleys are supplied with a variety of options, which include an universal display interface, a number of accessory trays and a handlebar for easy manoeuvring. The universal display interface strips fit on both, the trolleys PB 175, PB 150 and PB 100 as well as the desk support PB 050. This means that displays can easily and quickly be moved between mounting locations.

Features

- Basic/ economy model
- 2 accessory trays

Logistic information

- Packaging size: 710x1030x85 mm
- Max. weight: 17 kg / 38 lbs
- EAN Code: 8715695200049